



### Compressor Selection: Semi-hermetic Reciprocating Compressors

#### Input Values

Compressor model	(4V-6.2Y)	Suction gas temperature	20,00 °C
Mode	Refrigeration and Air conditioning	Operating mode	Auto
Refrigerant	R404A	Power supply	400V-3-50Hz
Reference temperature	Dew point temp.	Capacity Control	100%
Liq. subc. (in condenser)	0 K	Useful superheat	100%

#### Result

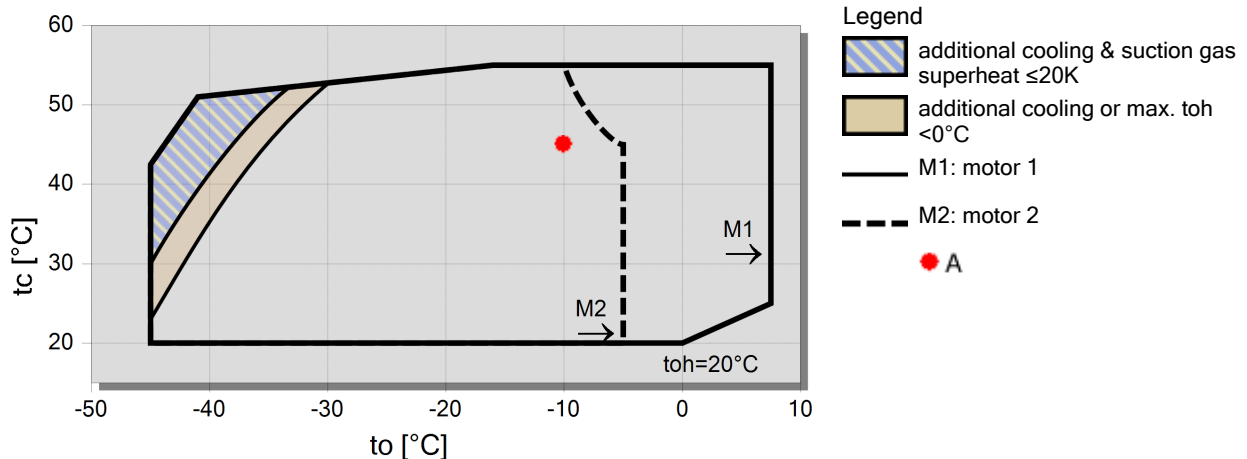
Q [W]	Cooling capacity	COP [ - ]	COP/EER
Q* [W]	Cooling capacity *	COP* [ - ]	COP/EER *
P [kW]	Power input	m [kg/h]	Mass flow
I [A]	Current	Op.	Operating mode
Qc [W]	Condenser Capacity	th [°C]	Discharge gas temp. w/o cooling

tc	to	-5°C	-10°C	-15°C	-20°C	-25°C	-30°C	-35°C	-40°C
30°C	Q [W]	25863	21314	17381	13993	11090	8617	6525	4769
	Q* [W]	25863	21314	17381	13993	11090	8617	6525	4769
	P [kW]	6,55	6,18	5,78	5,34	4,86	4,35	3,81	3,23
	I [A]	11,31	10,77	10,18	9,54	8,87	8,17	7,46	6,76
	Qc [W]	32410	27497	23160	19331	15951	12966	10331	8001
	COP [ - ]	3,95	3,45	3,01	2,62	2,28	1,98	1,71	1,48
	COP* [ - ]	3,95	3,45	3,01	2,62	2,28	1,98	1,71	1,48
	m [kg/h]	650	530	429	343	270	209	157,4	114,7
	Op.	Standard	Standard	Standard	Standard	Standard	Standard	Standard	Standard
	th [°C]	68,8	75,4	82,5	90,4	99,2	109,3	120,9	134,4
40°C	Q [W]	22188	18212	14768	11800	9255	7088	5258	3725
	Q* [W]	22188	18212	14768	11800	9255	7088	5258	3725
	P [kW]	7,59	7,04	6,45	5,83	5,17	4,49	3,78	3,07
	I [A]	12,89	12,06	11,17	10,25	9,30	8,36	7,44	6,57
	Qc [W]	29781	25256	21223	17628	14427	11577	9042	6790
	COP [ - ]	2,92	2,59	2,29	2,02	1,79	1,58	1,39	1,22
	COP* [ - ]	2,92	2,59	2,29	2,02	1,79	1,58	1,39	1,22
	m [kg/h]	628	510	410	325	253	192,7	142,2	100,4
	Op.	Standard	Standard	Standard	Standard	Standard	Standard	Standard	Standard
	th [°C]	79,9	86,6	93,9	101,8	110,6	120,4	131,5	0
50°C	Q [W]	--	14852	11965	9470	7329	5503	3961	2669
	Q* [W]	--	14852	11965	9470	7329	5503	3961	2669
	P [kW]	--	7,88	7,06	6,24	5,41	4,59	3,78	2,98
	I [A]	--	13,33	12,08	10,85	9,64	8,49	7,43	6,48
	Qc [W]	--	22736	19028	15708	12740	10093	7739	5653
	COP [ - ]	--	1,88	1,69	1,52	1,35	1,20	1,05	0,89
	COP* [ - ]	--	1,88	1,69	1,52	1,35	1,20	1,05	0,89
	m [kg/h]	--	481	383	301	231	172,2	123,3	82,7
	Op.	--	Standard	Standard	Standard	Standard	Standard	Standard	Standard
	th [°C]	--	99,3	106,6	114,6	123,8	134,4	0	0

-- No calculation possible (see message in single point selection)

\*According to EN12900 (20°C suction gas temp., 0K liquid subcooling)

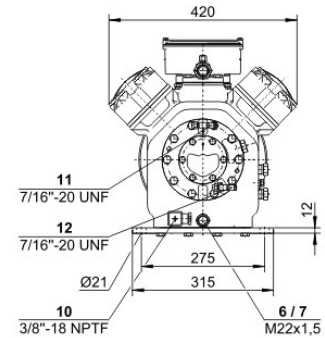
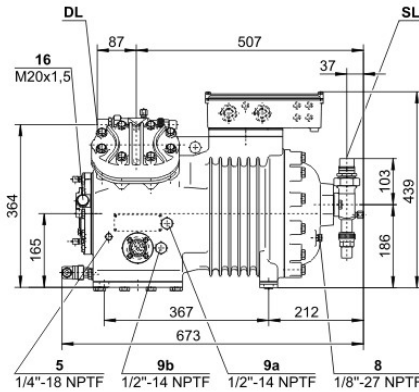
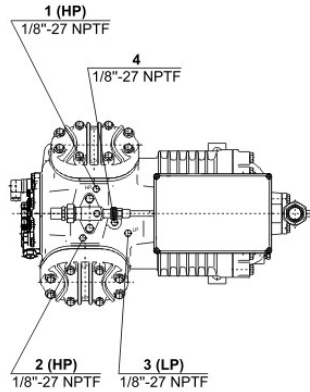
#### Application Limits 100%





## Technical Data: (4V-6.2Y)

### Dimensions and Connections



### Technical Data

#### Technical Data

Displacement (1450 RPM 50Hz)	33,07 m <sup>3</sup> /h
Displacement (1750 RPM 60Hz)	39,91 m <sup>3</sup> /h
No. of cylinder x bore x stroke	4 x 55 mm x 40 mm
Weight	135 kg
Max. pressure (LP/HP)	19 / 28 bar
Connection suction line	28 mm - 1 1/8"
Connection discharge line	22 mm - 7/8"
Connection cooling water	R 1/2"
Oil type R134a/R407C/R404A/R507A/R407A/R407F	tc<55°C: BSE32 / tc>55°C: BSE55 (Option)
Oil type R22 (R12/R502)	B5.2 (Standard)
Oil type R290/R1270	SHC226E (Standard)

#### Motor data

Motor voltage (more on request)	380-420V PW-3-50Hz
Max operating current	14.0 A
Winding ratio	50/50
Starting current (Rotor locked)	39.0 A Y / 68.0 A YY
Max. Power input	8,1 kW

#### Extent of delivery (Standard)

Motor protection	SE-B2
Enclosure class	IP54 (Standard), IP66 (Option)
Vibration dampers	Standard
Oil charge	3,00 dm <sup>3</sup>

#### Available Options

Discharge gas temperature sensor	Option
Start unloading	Option
Capacity control	100-50% (Option)
Additional fan	Option
Water-cooled cylinder heads	Option
CIC System	Option
Oil service valve	Option
Crankcase heater	100 W (Option)
Oil pressure monitoring	MP54 (Option), Delta-P11 (Option, not for R290/R1270)

#### Sound measurement

Sound power level (-10°C / 45°C)	74,5 dB(A) @ 50Hz
Sound power level (-35°C / 40°C)	80,5 dB(A) @ 50Hz
Sound pressure level @ 1m (-10°C / 45°C)	66,5 dB(A) @ 50Hz
Sound pressure level @ 1m (-35°C / 40°C)	72,5 dB(A) @ 50Hz